

7P/12V EXPERT Connectors - SAE J560

It is our business to find optimum and safe solutions for various needs in the area of connectors and wires. For the North American truck and trailer connector market (SAE J560) and also for agricultural technology, we have an all-new solution with outstanding features for our customers. In comparison with existing product designs, we are able to enhance the application in terms of:



Reliability

- Contacts feature individual wire-seals to ensure water-tightness to IPX9K
- Cover and mounting flange have seals for water tightness to IP54, adaption of corrugated tube
- Premium cover seal and unique central-load spring ensures water tightness (IPX4) when plug is not connected
- Plated contacts and active face seal prevent corrosive damage to contacts when plug is connected
- Flange seal is available to prevent water ingress between the socket and the vehicle or nose box
- Stainless steel mounting bolt bushings allow higher tightening torque



Maintenance

- Modular design for easy repair or replacement
- Harness connector secured to socket housing with secondary locking feature
- 7-pin sockets and harness connector housings are labeled and color coded
 - Green = SAE J560 Primary
 - Yellow = SAE J560 Auxiliary
- Custom cover lettering available
- 90° or straight back-shell cover is easily removed and replaced for service and repair



Lower Cost

- No preattached expensive jacketed cable
- No over-mold tooling, process, and materials
- Increased flexibility of harness supplier selection
- Production process for harness maker is commonized with all other vehicle component harnesses
- Contact crimping and insertion can be performed by any harness manufacturer
- Lower weight contributes to lower operating costs

Highlights

- Exceeds all SAE requirements
- EXPERT sockets by ERICH JAEGER are watertight (IPX9K)
- Socket housing with reception of contact insert and securing bracket
- Contact insert with terminal position assurance (TPA)
- Socket housing with metal bushings
- Cable outlet as fold cover with latch (can only be closed if TPA is locked)
- Works best from -40°F to 185°F (-40°C to 85°C)
- 90° cable outlet for small installation spaces



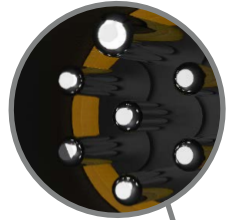
SCAN to WATCH



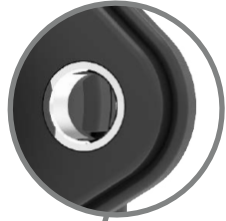


7P/12V EXPERT Connectors - SAE J560

Socket housing with seal on bottom of SAE J560 connection



Socket housing with metal bushings



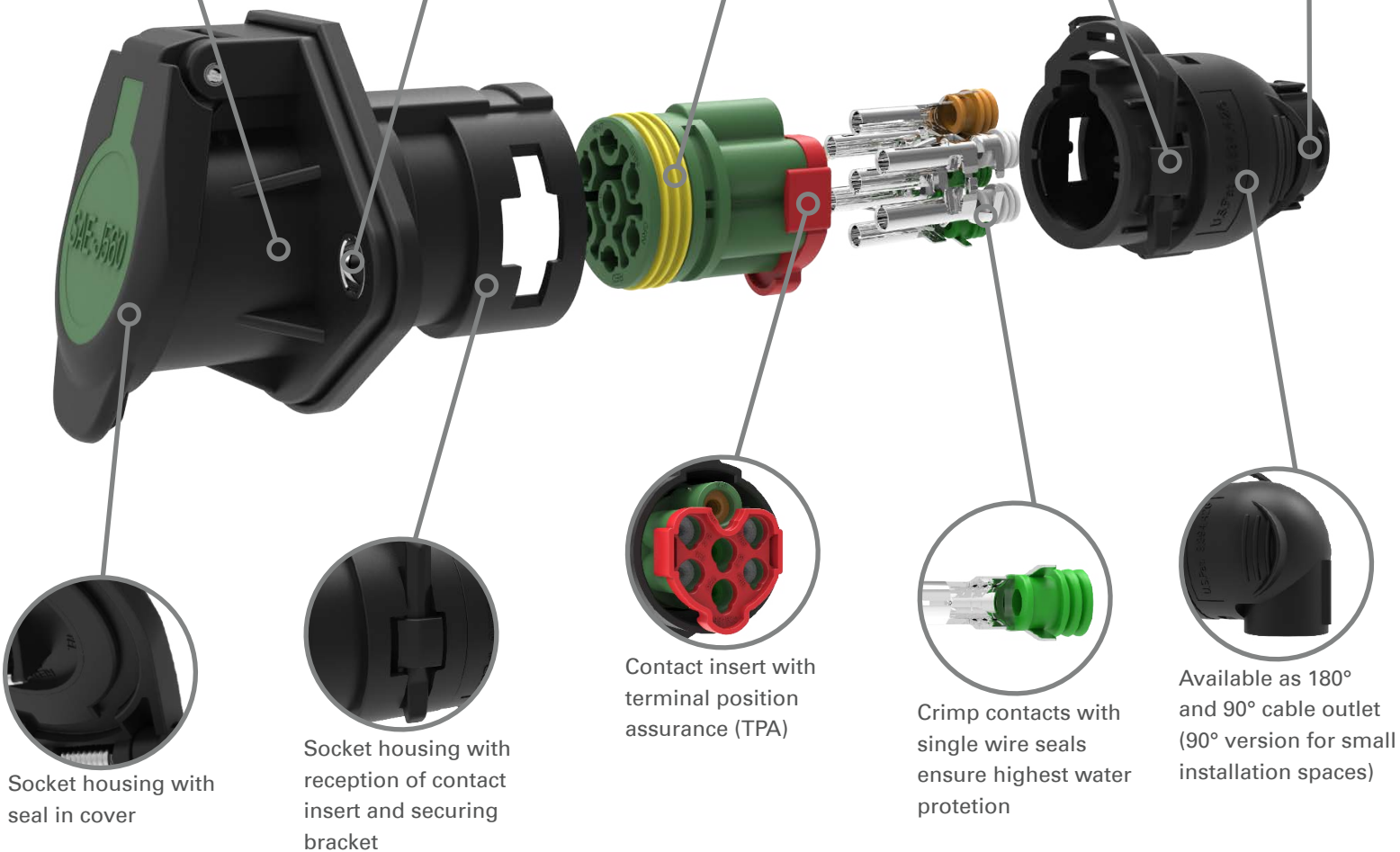
Separate contact housing with integrated circumference seal ensure highest water protection



Cable outlet as fold cover with latching hook and fixed securing bracket



Cable outlet for corrugated tube



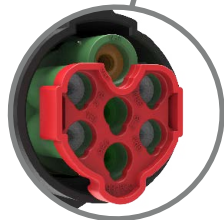
Socket housing with seal in cover



Socket housing with reception of contact insert and securing bracket



Contact insert with terminal position assurance (TPA)



Crimp contacts with single wire seals ensure highest water protection



Available as 180° and 90° cable outlet (90° version for small installation spaces)





TECHnote

7P/12V EXPERT Connectors - SAE J560

Model Versions



7P/12V EXPERT watertight socket - SAE J560 Primary

Set with nickel plated crimp contacts, contact insert, seal and cable outlet (180° and 90°) for corrugated tube NW17

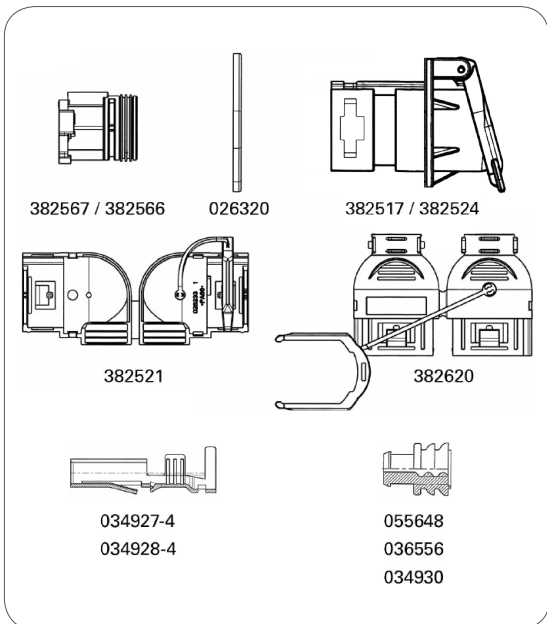
Part No.
101390



7P/12V EXPERT watertight socket - SAE J560 Auxiliary

Set with nickel plated crimp contacts, contact insert, seal and cable outlet (180° and 90°) for corrugated tube NW17

101391



7P/12V EXPERT socket housing - SAE J560 Primary

382517

7P/12V EXPERT socket housing - SAE J560 Auxiliary

382524

Contact insert - Primary

382567

Contact insert - Auxiliary

382566

Cable outlet 180°, for corrugated tube NW17

382620

Cable outlet 90°, for corrugated tube NW17

382521

Seal

026230

Crimp contact socket

12-10 AWG
8 AWG

034927-4
034928-4

Single wire seal

12 AWG
10 AWG
8 AWG

055648
036556
034930



7P/12V EXPERT Connectors - SAE J560

Model Versions



Hand crimping tool for crimp contacts and single wire seals (8, 10, 12 AWG)



7P/12V cable - SAE J560 Primary
green cable (4x 3.0mm² + 2x 5.0mm² + 1x 8.0mm²)

Cable length	Packaging
12,5ft	PE bag
12,5ft	no
13,0ft	PE bag
13,0ft	no
14,3ft	PE bag
14,3ft	no
18,0ft	PE bag
18,0ft	no



7P/12V coil - SAE J560 Primary
green cable (4x 3.0mm² + 2x 5.0mm² + 1x 8.0mm²), coil diameter: 100mm

Working length	Max. extension length	Packaging
3.5m / 12ft	4.5m / 14ft 9in	PE bag
3.5m / 12ft	4.5m / 14ft 9in	no
4.5m / 15ft	5.0m / 18ft	PE bag
4.5m / 15ft	5.0m / 18ft	no



7P/12V coil - SAE J560 Auxiliary
yellow cable (4x 3.0mm² + 2x 5.0mm² + 1x 8.0mm²), coil diameter: 100mm

Working length	Max. extension length	Packaging
3.5m / 12ft	4.5m / 14ft 9in	PE bag
3.5m / 12ft	4.5m / 14ft 9in	no
4.5m / 15ft	5.0m / 18ft	PE bag
4.5m / 15ft	5.0m / 18ft	no

Part No.
361065

611264
611243
611263
611259
611262
611244
611261
611231

611268
611222
611267
611224

611266
611223
611265
611225