



7P SAE J560 Coiled Cables

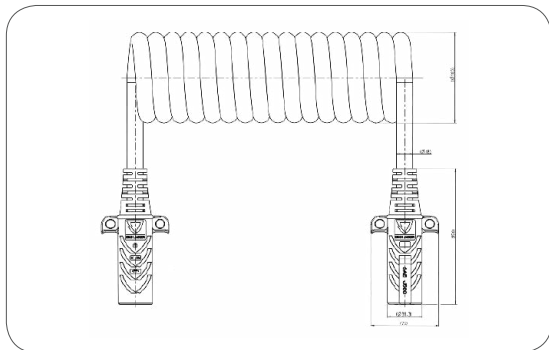
These 7-pin coiled cable-plug assemblies are designed to provide a superior electrical connection between the tractor and trailer.

The uni-molded connector bodies are extremely robust providing best-in-class performance and are completely unique to the market.

Primary and auxiliary versions are available.

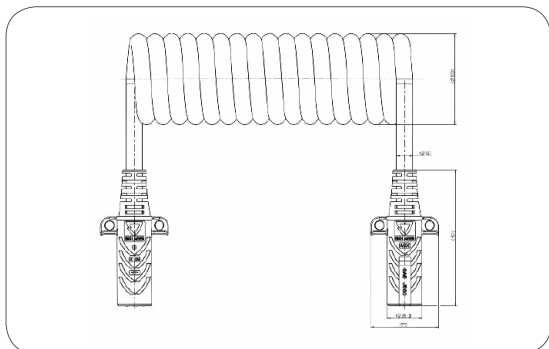
Features

- High performance crimped contacts
- Uni-molded connector body seals out water and corrosive chemicals
- Integrated strain relief provides permanent kink protection
- Resistant to diesel fuel, engine coolant, engine oil, gear oil, water, salt, dirt, UV radiation and impact



7P/12V Coiled Cable (Primary, green)
with molded plastic housing, molded anti kink protection
Conductors: 1/8 + 2/10 + 4/12 ga. (1x 8.0mm² + 2x 5.0mm² + 4x 3.0mm²)
Connectors: 2x7P/12V plugs, according to SAE J560

Working length	Max. extension length	Packaging
12 ft (3.5 m)	14 ft 9 in (4.5 m)	Bulk Packaging
15 ft (4.5 m)	18 ft (5.5 m)	Bulk Packaging



7P/12V Coiled Cable (Auxiliary, yellow)
with molded plastic housing, molded anti kink protection
Conductors: 1/8 + 2/10 + 4/12 ga. (1x 8.0mm² + 2x 5.0mm² + 4x 3.0mm²)
Connectors: 2x7P/12V plugs, according to SAE J560-AUX
(similar to ISO 3731)

Working length	Max. extension length	Packaging
12 ft (3.5 m)	14 ft 9 in (4.5 m)	Bulk Packaging
15 ft (4.5 m)	18 ft (5.5 m)	Bulk Packaging

Part No.

611222
611224

611223
611225